

Special Troops Battalion,
4th Brigade Combat Team,
82nd Airborne Division,

A-4-223

Beret Flash



Description/Blazon

A shield-shaped embroidered device with a semi-circular base 2 1/4 inches (5.72 cm) in height by 1 7/8 inches (4.76 cm) in width overall, edged with a 1/8 inch (.32 cm) teal blue outer border, divided horizontally the semi-circular base in orange and the upper divided vertically the left oriental blue and the right scarlet. The beret flash was approved on 8 March 2006. A-4-223

Background Trimming

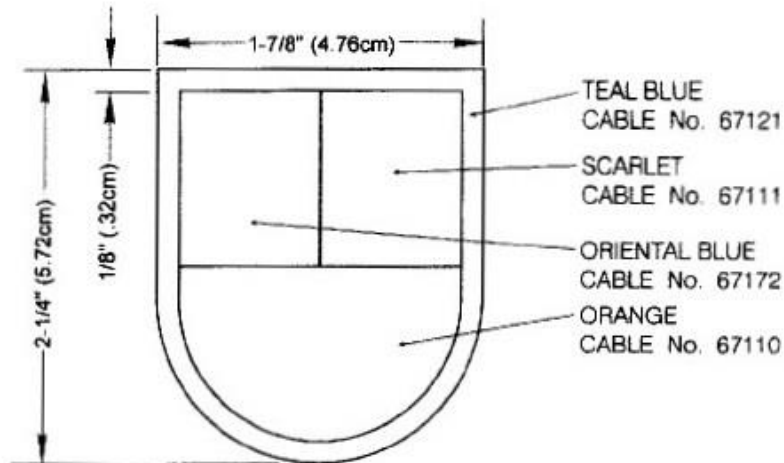


Description/Blazon

A black oval shaped embroidered device 1 3/8 inches (3.49 cm) in height by 2 1/4 inches (5.72 cm) in width overall, edged with a 1/8 inch (.32 cm) inner border divided into thirds with a scarlet left semi-circle, oriental blue horizontal top and bottom and an orange right semi-circle filled with a black inner oval background, all within a 1/8 inch (.32 cm) teal blue border. The background trimming was approved on 8 March 2006.

REVISIONS

LTR	DESCRIPTION	DATE	APPROVED
-----	-------------	------	----------



DESIGNED FOR OVEREDGE STITCHING

UNLESS OTHERWISE SPECIFIED DIMENSIONS ARE IN INCHES TOLERANCES ON FRACTIONS DECIMALS ANGLES	THE INSTITUTE OF HERALDRY, U.S. ARMY 9325 GUNSTON RD. S-112 FORT BELVOIR, VA 22060-5579	
	EXAMINED <i>[Signature]</i>	
MATERIALS: TO BE MANUFACTURED IN ACCORDANCE WITH MIL-DTL-14652	CHECKED <i>[Signature]</i>	BERET FLASH FOR SPECIAL TROOPS BATTALION, 4TH BDE. COMBAT TEAM, 82D AIRBORNE DIV.
	PREPARED <i>CLH</i>	
APPROVED <i>[Signature]</i> CHARLES V. MUGNO DIRECTOR		SIZE CONTROL IDENT. NO A 22571 A-4-223 SCALE FULL DATE 16 FEBRUARY 2006